

# DECK/PORCH PERMIT APPLICATION

400 East Military Ave Fremont NE 68025

**402-727-2638 402-727-2659 Fax**

Date \_\_\_\_\_

[www.fremontne.gov](http://www.fremontne.gov) [building@fremontne.gov](mailto:building@fremontne.gov)

Permit # \_\_\_\_\_

ADDRESS OF PROJECT: \_\_\_\_\_

PROPERTY OWNER Name & Address: \_\_\_\_\_

TOTAL VALUE OF PROPOSED WORK \$ \_\_\_\_\_ (includes all materials and labor for proposed project.)

LOCATION of Deck/Porch:  Front  Rear  Side

COVERED DECK/PORCH:  Yes  No

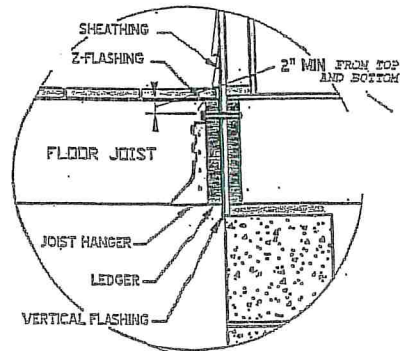
SETBACKS:

If yes, is it attached or unattached? \_\_\_\_\_

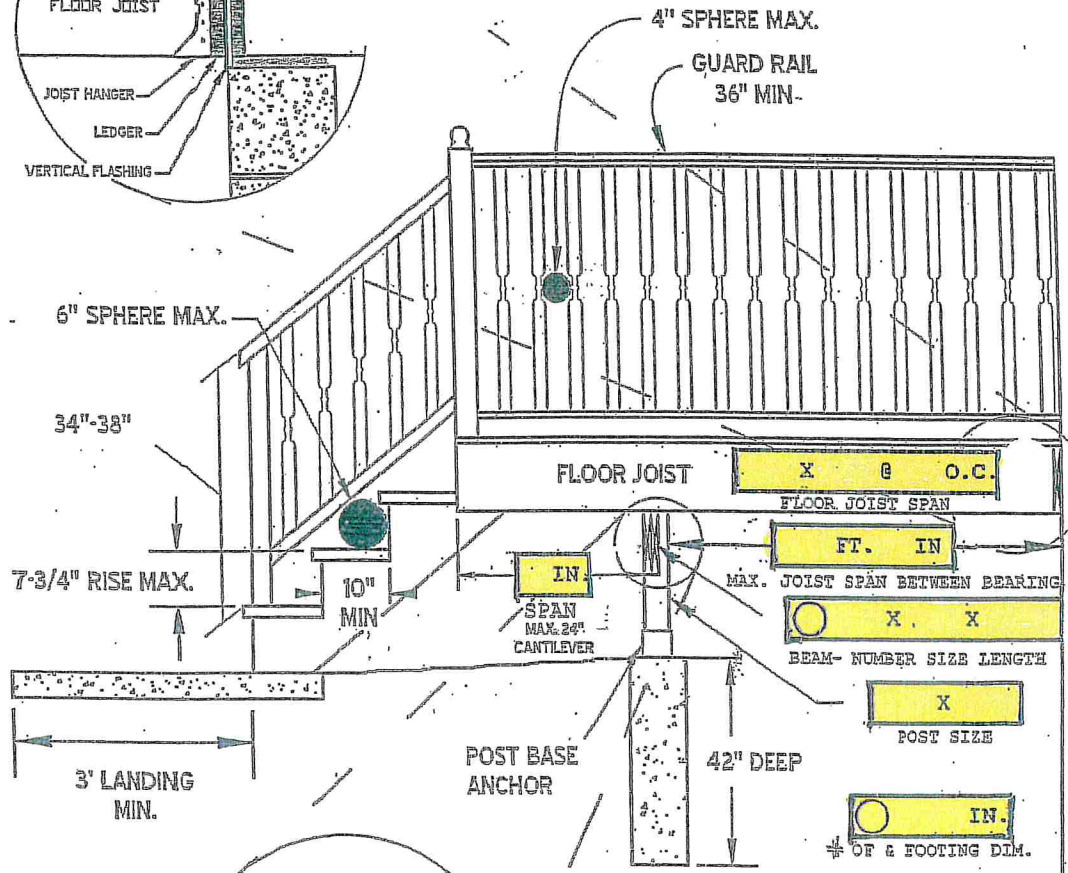
Front Yard: \_\_\_\_\_ ft

Side Yard: \_\_\_\_\_ ft; \_\_\_\_\_ ft

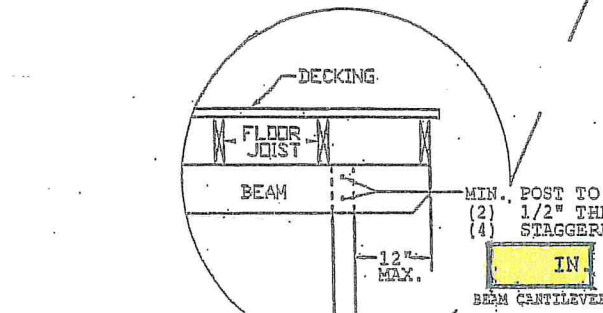
Rear Yard: \_\_\_\_\_ ft



SPECIES OF LUMBER  
 HEIGHT OF DECK ABOVE GRADE



FILL OUT THE YELLOW BOXES IN THE DIAGRAM.



MIN. POST TO BEAM CONNECTION:  
 (2) 1/2" THROUGH BOLTS OR  
 (4) STAGGERED LAG SCREWS

IN.  
 BEAM CANTILEVER

# DECK/PORCH PLOT PLAN

Please show all measurements of existing and contemplated structures, distances between structures, property lines, and setbacks. Do not start work until you have a permit.

1 square = \_\_\_\_\_ ft

**CONTRACTOR**

Phone Number \_\_\_\_\_ Email \_\_\_\_\_

**ALL TRASH, DEBRIS, AND SOLID WASTE GENERATED IN THE CITY OF FREMONT MUST BE DELIVERED TO THE TRANSFER STATION SITED BY FREMONT.**

I certify no work will be done except as described above or on accompanying plans. All work will be performed in compliance with all codes and ordinances of the City of Fremont, and inspections requested as outlined on the front side of the yellow permit card. I certify that the above application complies with the ordinances pertaining thereto in the City of Fremont and recommend that a permit be granted.

Applicant Name (print clearly) \_\_\_\_\_

Signature \_\_\_\_\_